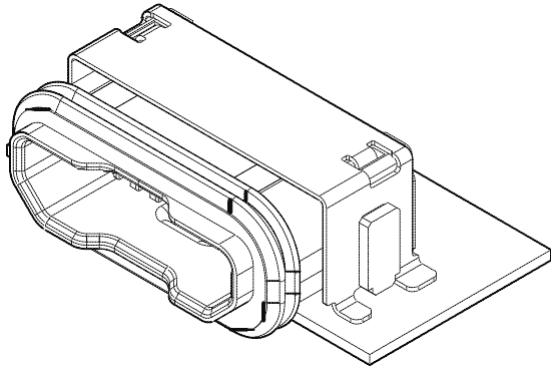


UB CONNECTOR Micro USB



USB (waterproof)



Micro USB standard, waterproof interface connector for mobile and handheld devices. It conforms to JIS C 0920, protection grade 7 (water tight)

* JIS C 0920 protection grade 7; remains water tight for 30 minutes to a depth of 1m.

- Waterproof
- Durability: 10,000 mating cycles
- Laser welded shell for rugged construction
- Surface mount (SMT)

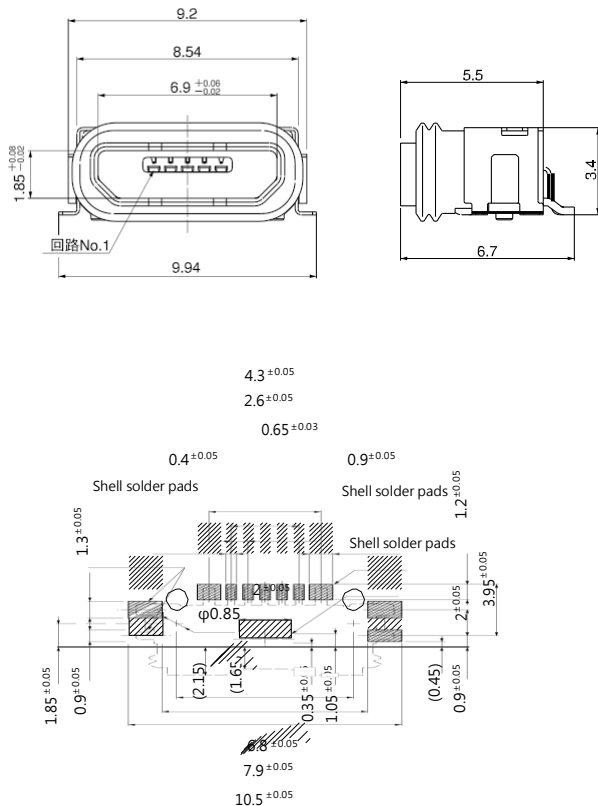
General specifications:

- Current rating (signal line only)
 - Signal lines 2 ~ 4: 1.0A AC · DC/line
 - When applying power:
 - Power lines 1 & 5: 1.8A AC · DC/line
 - Signal lines 2 ~ 4: 0.5A AC · DC/line
 - Voltage rating: 30V AC · DC
 - Temperature range: -30°C ~ + 85°C (including temperature rise in applying current)
 - Contact resistance: Initial - 30mΩ or less
 - After environmental testing, ≤50mΩ
 - Insulation resistance: ≤1,000MΩ or less
 - Withstanding voltage: 100VAC/minute
- ※Refer to the notes in the "terminal connector" at the end of the full line catalog.
 ※Please contact JST for more information.
 ※RoHS compliant product

Receptacle

Standard B type

TID No. : 60002098



Number per reel: 1500pcs.

Model No.	Material and surface treatment	
UB-MC5BR3-SDWP604-4S	Contact	Copper alloy, nickel under plating, gold plating
	Housing	UL94V-0, black, thermoplastic resin
	Shell	Stainless steel, nickel base, tin plated
	Shell cover	Copper alloy, nickel base, tin plated
	Cap	UL94V-0, black, thermoplastic resin
	Outer seal	Silicon rubber, black
	Sealant	Cured resin

●RoHS compliant